

TMAX-1335-XXX-M Molded Power Inductor

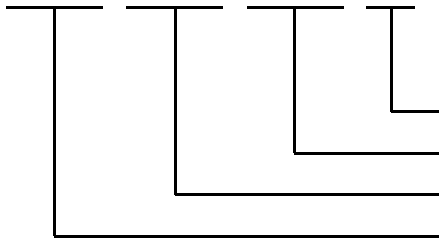
Features

-
-
-
-
-
-

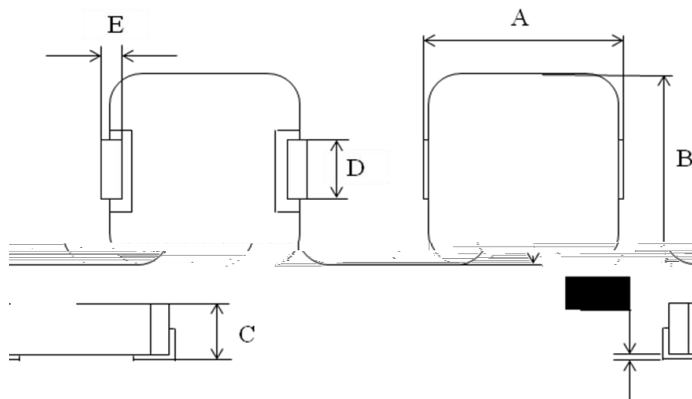
Applications

-
-
-
-
-
-

Product Description



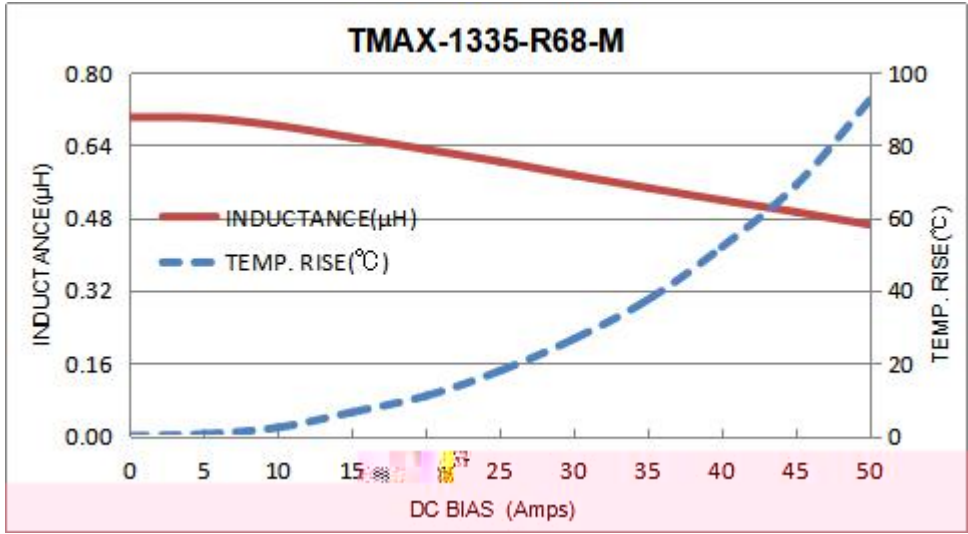
Dimensions



	13.8Max
	12.7±0.2
	3.5 Max.
	3.7±0.5
	2.3±0.5
	0~0.20

TDG HOLDING CO., LTD.

Inductance and Temperature Rise vs. DC Current



Reliability:

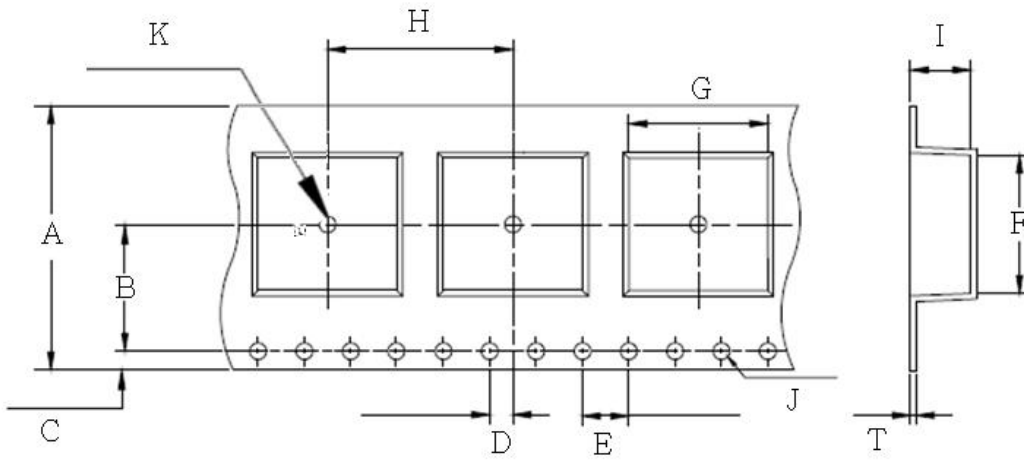
Item	Test Method	Specification and Requirement
	± ± ±	
		±



TDG HOLDING CO., LTD.

Reliability:

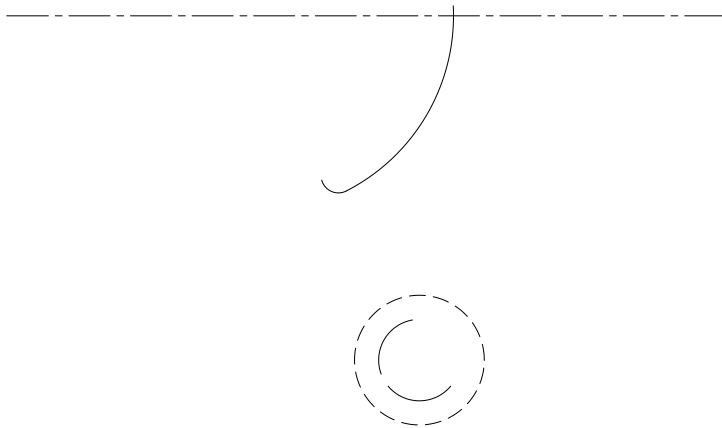
Packaging Dimensions



±	±	±	±	±	±
±	±	±	±	±	±

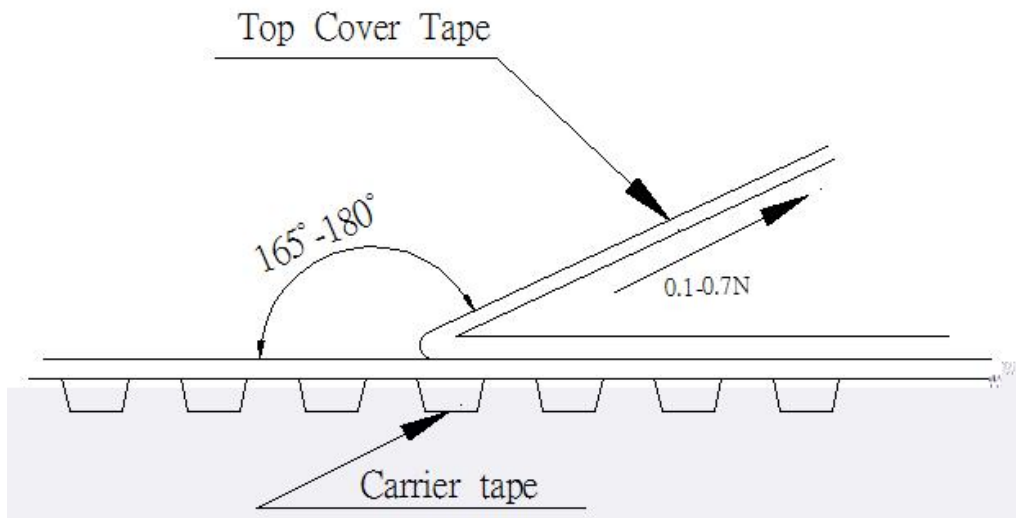
Reel Dimensions

±	±	



Peeling of top cover tape

-
-



Numbers of taping

-

Label marking

-
-

Production Label

- ✓
- ✓
- ✓
- ✓
- ✓

Shipping Label

- ✓
- ✓
- ✓
- ✓
- ✓

Care note for use**➤ Storage Condition****➤ Use Temperature**

- ✓
- ✓

- ✓
- ✓

➤ Model**➤ Drop**

Care note for Safety